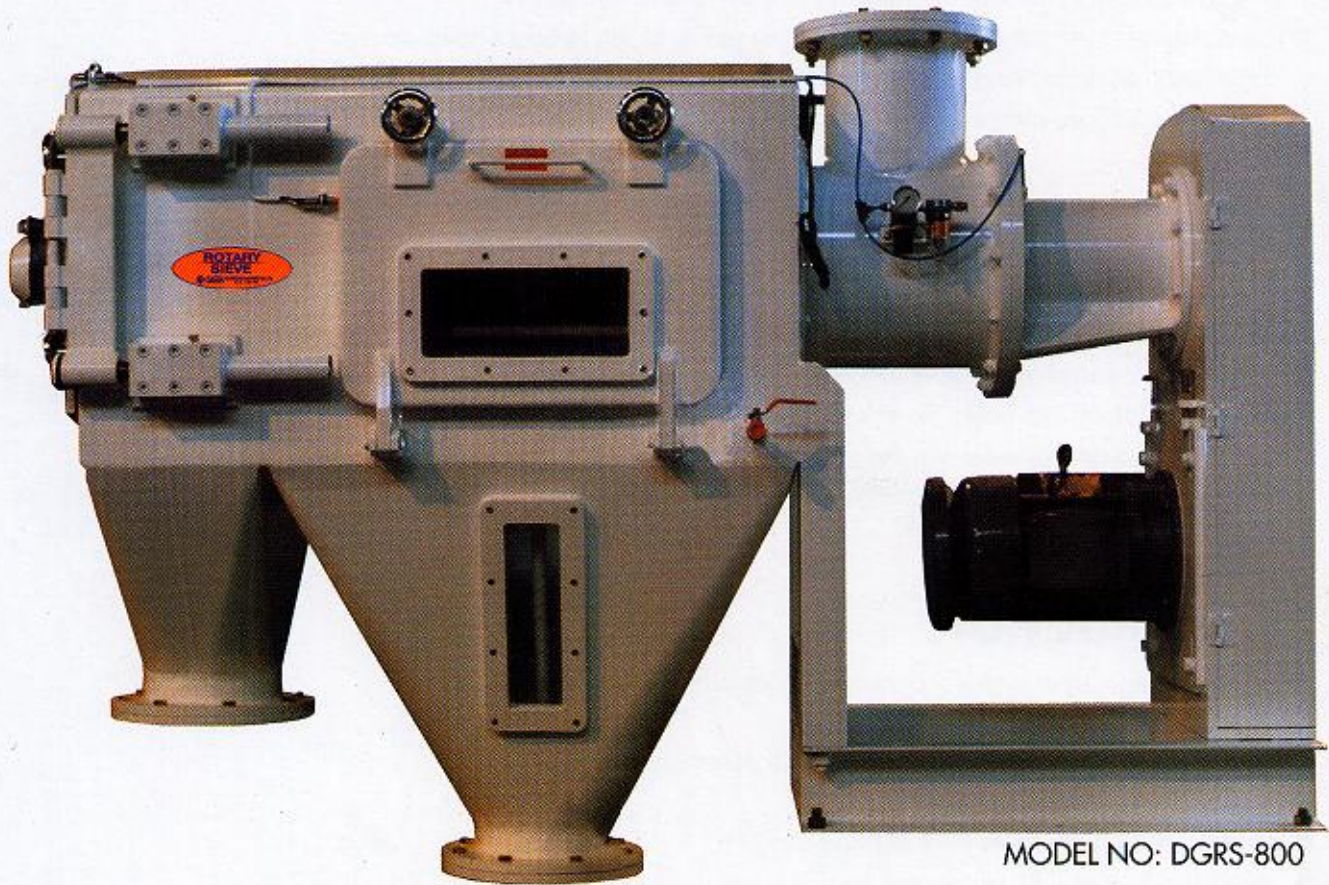


ROTARY SIEVE



MODEL NO: DGRS-800

**For Higher Efficiency
Lower Noise Operation**

ADVANTAGES

- Easy to clean & maintain
- Higher efficiency compared to the circular vibrating screen
- Continuous operation available
- Low maintenance
- De-agglomeration
- Quiet operation
- Dust-tight
- De-lumping
- Lower noise

DAEGA

INTRODUCTION

- DAEGA rotary sieve is widely used for continuous classifying in the drying process.
- Sometimes used in size reduction processes to remove and re-circulate oversize materials through the grinding mill for further processing.
- The construction of the casing maintains the purity of the product because it is completely enclosed and has a sanitary design. The enlarged check door permits inspection, cleaning and complete screen change quickly.

OPERATION

Bulk materials and powders are fed to the sieve inlet at this time, and feed screw conveys the material into a rotating helical blade.

- Centrifugal force accelerates the movement of the particles against the screen.
- The blade does not come in contact with the screen when crushing soft agglomerates and powder via the screen.
- Over size particle is passed directly into the discharge chute.

CONSTRUCTION

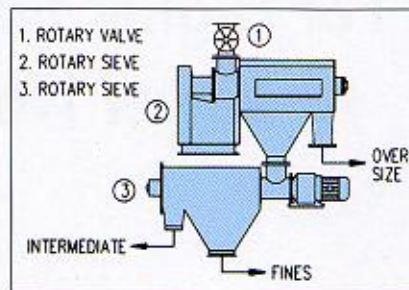
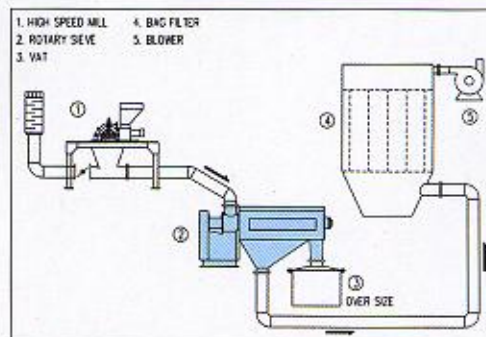
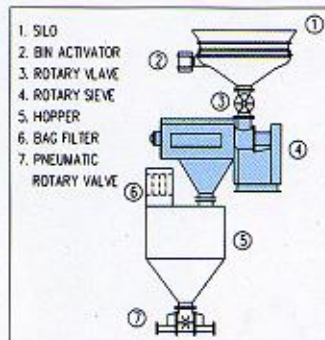
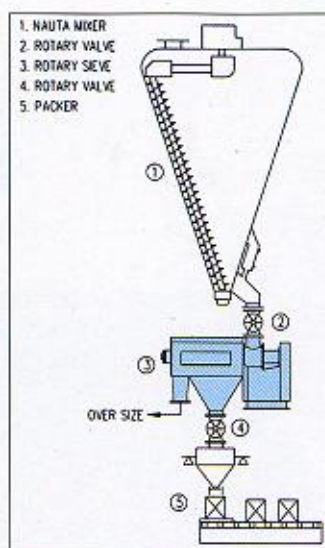
All sieve casings have welded construction and the casing and the driving unit are joined by bolts.

- Shaft with feed screw and rotating paddle assembly are set in a helix blade.
- External stuffing box with bearing and seals.
- Cylindrical screen with reinforced bar.
- End baffle over the flow of fine powder for protection.
- Driving unit with power transmission.
- Check door for easy cleaning.

FINISH

Carbon steel construction is finished with epoxy resin coating.

- Stainless steel construction is finished polishing like mirror or electro polishing by users demand.



1970

Powder Engineering & Chemical world

DAEGA POWDER SYSTEMS CO., LTD.

100-59 ONSU-DONG KURO-KU SEOUL, KOREA

Telephone: 82-2-2613-5257

Fax: 82-2-2616-5258

Http://www.daega.co.kr

E-Mail: daegaeng@daega.co.kr